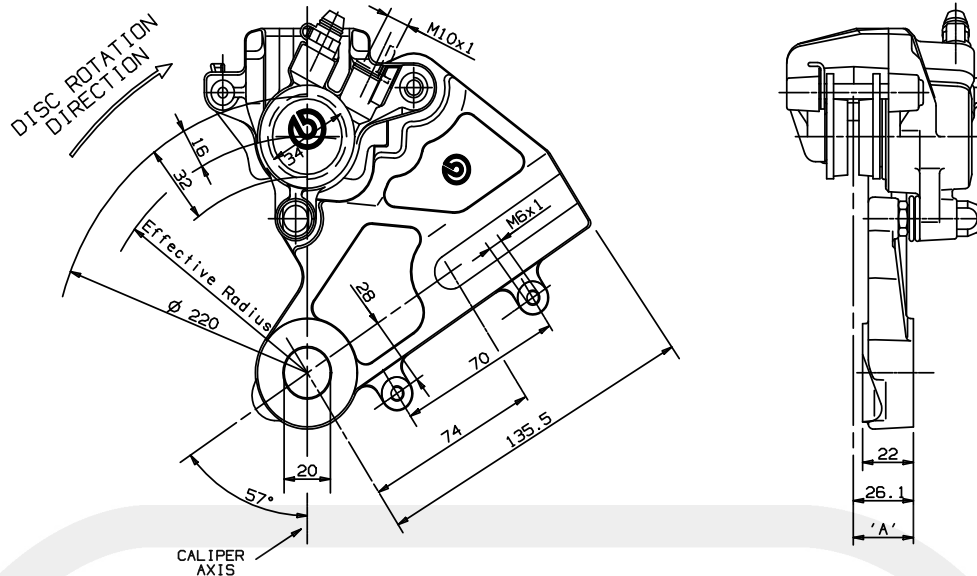


	<h1>FLOATING CALIPER</h1>	PF 34 B	
		22.5550.70 80	B

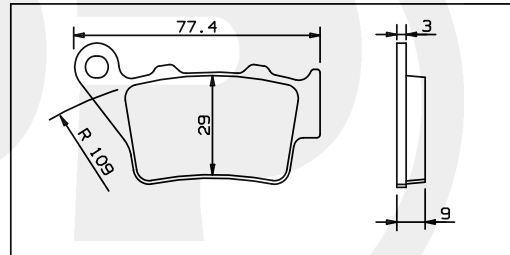


### DESCRIPTION

Floating caliper with 1 piston.  
Caliper's body slides on one bracket.  
Pads are supported by one pin and one bracket.  
Construction Material: Aluminium Alloy.  
Operating fluid: brake fluid DOT4.

N.B.: drawing shows caliper Code 22.5550.80  
Caliper Code 22.5550.70 specular.

### PADS SHAPE AND DIMENSIONS



### TECHNICAL CHARACTERISTICS

Pistons number and diameter:	1 34mm	Average pad surface (1 pad):	14.7 cm <sup>2</sup>
MAX working pressure:	70bar	Weight (with not sintered pads):	0.950 Kg
A) Disc position (TOLERANCE):	±0.7 mm		
Usable disc diameter:	220 mm		

### CONFIGURATION

CODE CALIPER	CHARACT.	PADS FRICTION MATERIAL	BODY COLOR	BRACKET COLOR	MOUNT. SIDE	USABLE DISCS THICKNESS	BRAKE FLUID FOR PADS WEAR
22.5550.70 80		FRENDO 222	NATURAL	NATURAL	SX DX	4.2 mm	10.35 cm <sup>3</sup>

### AVAILABLE SPARE PARTS

CODE CALIPER	SPARE PARTS	PADS	BLEEDER SCREW	DUST COVER	BOOTS	PIN/RETAINER	SPRING/STEEL CLIP
22.5550.70 80		107.5552.12	105.3387.60	105.1502.20	122.4746.14	122.5089.22 122.5089.23	120.4683.25

Indicating informations subject to modification.  
For further specifications contact Technical Section.

LAST UPDATE: 13/05/1996